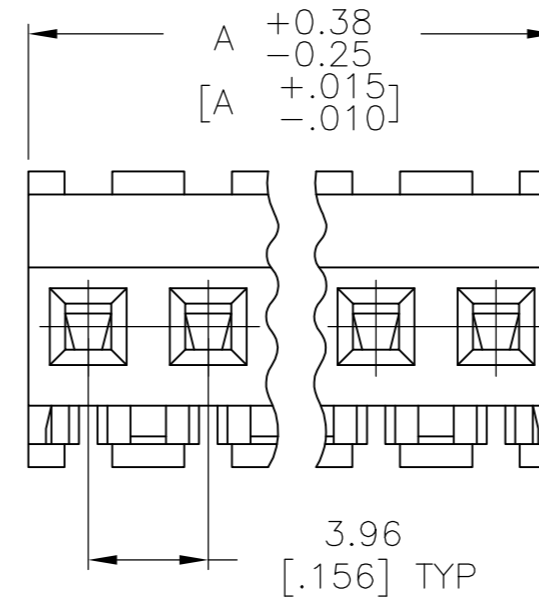
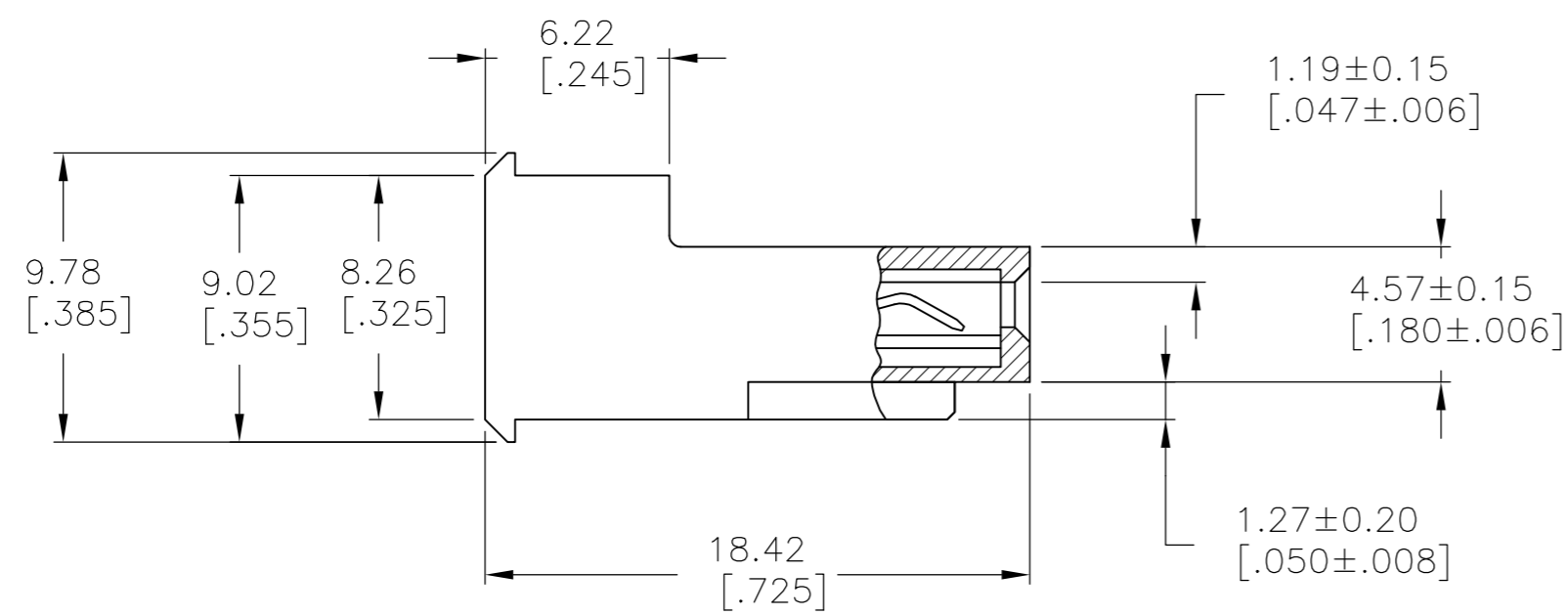
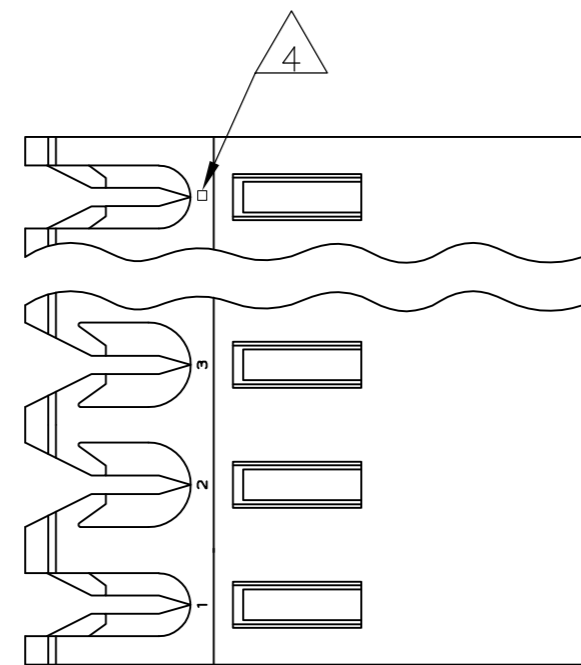


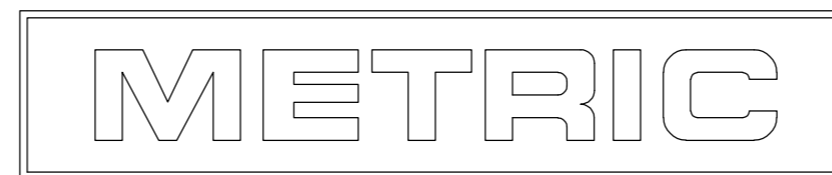
THIS DRAWING IS UNPUBLISHED. RELEASED FOR PUBLICATION
 © COPYRIGHT BY TYCO ELECTRONICS CORPORATION. ALL RIGHTS RESERVED.

LOC	DIST	REVISIONS					
CM	54	P	LTR	DESCRIPTION	DATE	DWN	APVD
		U		ECO-07-012855	06JUN07	KW	DB



- 1 MATERIAL: CONNECTOR - NYLON UL94V-2 (YELLOW).
CONTACTS - 0.30[.012] THICK COPPER ALLOY
(BRIGHT TIN-LEAD 0.00203[.000080] MIN. THICK FOR CONTACTS 640605-2 THRU 2-640605-4)
(MATTE WHISKER MITIGATED TIN 0.00203[.000080] MIN THICKNESS OVER NICKEL UNDERPLATE FOR 3-640605-2 THRU 5-640605-4).
- 2. CONTACTS ACCEPT 20 AWG WIRE WITH 2.41[.095] MAX INSULATION DIAMETER.
- 3. CONTACTS MUST ACCEPT 1.14±0.03[.045±.001] SQUARE POST AND REMAIN LOCKED IN POSITION.
- 4 IDENTIFICATION NUMBER FOR LAST CIRCUIT MAY NOT APPEAR ON ALL ASSEMBLIES.
- 5. DIMENSIONS IN BRACKETS ARE IN INCHES.
- 6. HOUSING FEATURES ARE: FEED-THRU WITHOUT LOCKING RAMP.

95.10	[3.744]	24	5-640605-4
91.14	[3.588]	23	5-640605-3
87.17	[3.432]	22	5-640605-2
83.21	[3.276]	21	5-640605-1
79.25	[3.120]	20	5-640605-0
75.29	[2.964]	19	4-640605-9
71.32	[2.808]	18	4-640605-8
67.36	[2.652]	17	4-640605-7
63.40	[2.496]	16	4-640605-6
59.44	[2.340]	15	4-640605-5
55.47	[2.184]	14	4-640605-4
51.51	[2.028]	13	4-640605-3
47.55	[1.872]	12	4-640605-2
43.59	[1.716]	11	4-640605-1
39.62	[1.560]	10	4-640605-0
35.66	[1.404]	9	3-640605-9
31.70	[1.248]	8	3-640605-8
27.74	[1.092]	7	3-640605-7
23.77	[.936]	6	3-640605-6
19.81	[.780]	5	3-640605-5
15.85	[.624]	4	3-640605-4
11.89	[.468]	3	3-640605-3
7.92	[.312]	2	3-640605-2
95.10	[3.744]	24	2-640605-4
91.14	[3.588]	23	2-640605-3
87.17	[3.432]	22	2-640605-2
83.21	[3.276]	21	2-640605-1
79.25	[3.120]	20	2-640605-0
75.29	[2.964]	19	1-640605-9
71.32	[2.808]	18	1-640605-8
67.36	[2.652]	17	1-640605-7
63.40	[2.496]	16	1-640605-6
59.44	[2.340]	15	1-640605-5
55.47	[2.184]	14	1-640605-4
51.51	[2.028]	13	1-640605-3
47.55	[1.872]	12	1-640605-2
43.59	[1.716]	11	1-640605-1
39.62	[1.560]	10	1-640605-0
35.66	[1.404]	9	640605-9
31.70	[1.248]	8	640605-8
27.74	[1.092]	7	640605-7
23.77	[.936]	6	640605-6
19.81	[.780]	5	640605-5
15.85	[.624]	4	640605-4
11.89	[.468]	3	640605-3
7.92	[.312]	2	640605-2
DIM A		NO OF CIRCUITS	PART NO



THIS DRAWING IS A CONTROLLED DOCUMENT.		DWN B. LEWIS 12FEB91	Tyco Electronics Corporation Harrisburg, Pa 17105-3608	
DIMENSIONS: mm [INCHES]		CHK R. SWING 12FEB91	NAME MTA-156 CONNECTOR ASSEMBLY, 20 AWG, STANDARD	
TOLERANCES UNLESS OTHERWISE SPECIFIED: 0 PLC ± - 1 PLC ± - 2 PLC ± - 3 PLC ± 0.13 [.005] 4 PLC ± - ANGLES ± -		APVD D. CLARK 19FEB91	RESTRICTED TO	
MATERIAL 1		PRODUCT SPEC 108-1051	SIZE A2	CAGE CODE 00779
FINISH 1		APPLICATION SPEC 114-1020	DRAWING NO C=640605	SCALE 4:1
		WEIGHT -	SHEET 1 OF 1	REV U
		CUSTOMER DRAWING		